



6LPA Series - STZP2 / STZC

Configuration	In-line, 4-stroke, vertical, water-cooled diesel engine	
Max. output at crankshaft	*220 kW@3800 rpm	[299 mhp@3800 rpm]
	**232 kW@3800 rpm	[315 mhp@3800 rpm]
No. of cylinders	6 cylinder	
Displacement	4.164 L	[254 cu in]
Bore x stroke	94 mm x 100 mm	[3.70 in x 3.94 in]
Aspiration	Turbocharged & intercooled	
Combustion system	Direct, 2-Stage injection	
Starting system	Electric starting 12V - 2.5 kW	
Engine management	Mechanical	
Cooling system	Fresh water cooling by centrifugal fresh water pump	
	Seawater cooling by rubber impeller seawater pump	
Alternator	12V - 80A	
Lubrication system	Enclosed, forced lubricating system	
Engine lube oil specifications	API class: CD or higher, SAE grade: 10W-30 or 15W-40	
Direction of rotation at crankshaft	Counterclockwise viewed from stern	
Dry weight without gear	408 kg	[899 lbs]
Engine dimensions [†] L x W x H	1148 x 862 x 784 mm	
Emission compliance	EU: RCD 1 , BSO II, IMO, EMC	US: EPA Tier 2
Flywheel housing size	n/a	
Controls	Mechanical	

NOTE:

Fuel condition: Density at 15°C = 0.84 g/cm³; 1 kW = 1.3596 mhp = 1.3410 HP
 Technical data is according to ISO 8665: 2006/3046-1

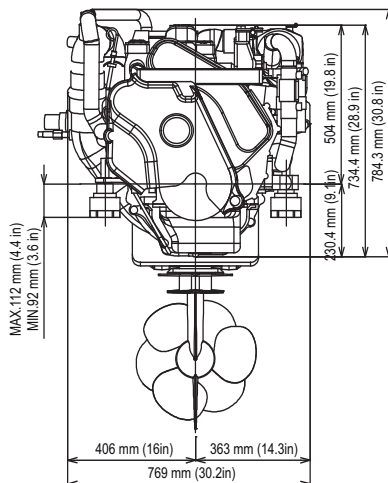
* Fuel temperature 25°C at the inlet of the fuel injection pump [ISO 3046-1]

** Fuel temperature 40°C at the inlet of the fuel injection pump [ISO 8665: 2006]

†Measured with through drive exhaust, without sterndrive (Dimensions may vary with other gears/elbow)

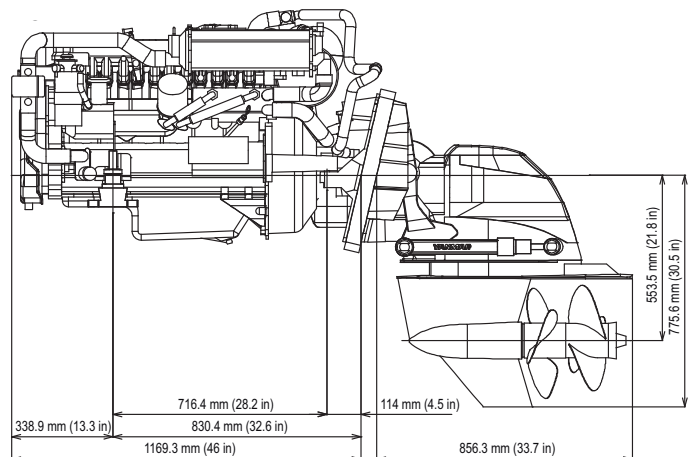
DIMENSIONS

Rear view



6LPA-STPZ2/C with ZT370r
 (Not to be used for engine installation)

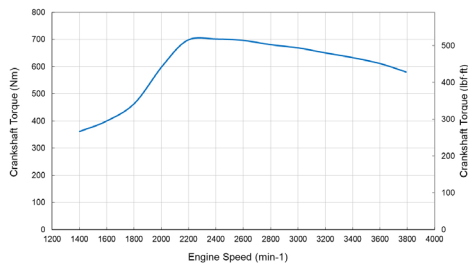
Right side view



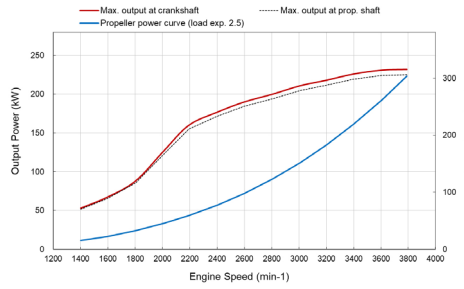


PERFORMANCE CURVES

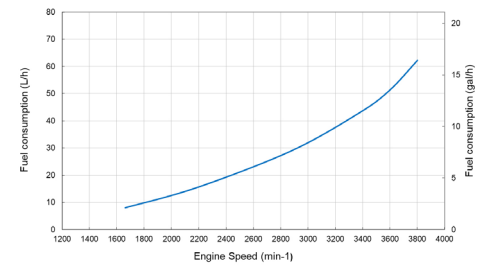
6LPA-STP2 Torque curve



6LPA-STP2 Output Power curve



6LPA-STP2 Fuel consumption (load exp. 2.5)



MARINE GEAR / DRIVE*

Model	YANMAR ZT370		Bravo One X Diesel†			Bravo Two X Diesel†			
Clutch type	Hydraulic multi-disc		Mechanical cone clutch			Mechanical cone clutch			
Shift Control)	Mechanical / Electric [electro magnetic]		Mechanical			Mechanical			
Dry weight	100 kg [220 lbs] **		88 kg [194 lbs]			94 [207 lbs]			
Reduction ratio [fwd/asn]	1.65/1.65	1.78/1.78	1.36/1.36	1.50/1.50	1.65/1.65	1.22/1.22	1.58/1.58	2.08/2.08	2.47/2.47
Direction of rotation [viewed from stern]	Clockwise [rear prop] & counterclockwise [front prop]		Clockwise & counterclockwise			Clockwise & counterclockwise			
Lubrication system	Oil bath		Oil bath			Oil bath			
Lube oil specifications	Quicksilver High Performance Gear Lube		Quicksilver High Performance Gear Lube			Quicksilver High Performance Gear Lube			
Max. lube oil capacity (L)	2.95 L		2.6 L			3.0 L			
Dry weight - engine & drive	508 kg [1120 lbs]		496 kg [1094 lbs]			502 kg [1107 lbs]			
Typical Trim Range	-6° to 11°		-5° to 11°			-5° to 11°			
Trailer Limit	51°		46°			46°			

* Other marine gearboxes and configurations might be available upon request. Contact your local supplier for more information.

**Dry weight includes propellers, cooler and brackets

† Not applicable for 6LPA-STZC

ACCESSORIES

Standard engine package

- Exhaust mixing elbow [L-type]
- Alternator 12V - 80A
- Water separator
- 3G instrument panel

Optional accessories

- High-riser mixing elbow [instead of L-elbow]
- Flexible mounts
- Extension wire harness [3m, 5m, 10m, 20m]
- Sensor for VDO instrument panels
- SOLAS including Certificate [factory fit only]
- Air venting device for cooling water tank
- Lub oil evacuation pump

NOTE: All data subject to change without notice. Text and illustrations are not binding.