



# 8LV Series - 320Z / 350Z / 370Z

Configuration	V8-90°, 4-stroke, water-cooled diesel engine	
Max. output at crankshaft*	235 kW@3800 rpm	[320 mhp@3800 rpm]
	257 kW@3800 rpm	[350 mhp@3800 rpm]
	272 kW@3800 rpm	[370 mhp@3800 rpm]
No. of cylinders	8 cylinder	
Displacement	4.460 L	[272.24 cu in]
Bore x stroke	86 x 96 mm	[3.38 x 3.78 in]
Aspiration	Twin turbocharged & intercooled	
Combustion system	Direct injection, Denso common rail system	
Starting system	Electric starting 12V - 2.7 kW	
Engine management	Electronic	
Cooling system	Fresh water cooling by centrifugal fresh water pump	
	Seawater cooling by rubber impeller seawater pump	
Alternator	12V - 180A	
Lubrication system	Enclosed, forced lubricating system	
Engine lube oil specifications	API class: CD or higher, SAE grade: 15W-40	
Direction of rotation at crankshaft	Counterclockwise (CCW) viewed from stern	
Dry weight without gear	435 kg	[959 lbs]
Engine dimensions† L x W x H	1198 x 1043 x 886	
Emission compliance	EU: RCD 2, IMO, EMC	US: EPA Tier 3, EPA-C
Flywheel housing size	n/a	
Controls	Electronic	

NOTE: Fuel condition: Density at 15°C = 0.84 g/cm³; 1 kW = 1.3596 mhp = 1.3410 HP

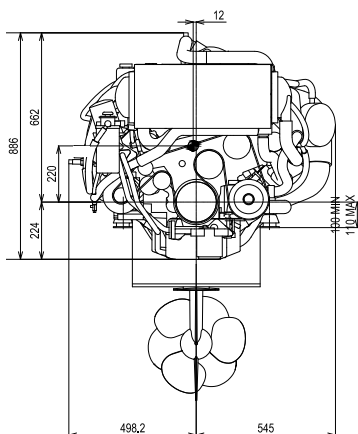
Technical data is according to ISO 8665: 2006

\* Fuel temperature 40°C at the inlet of the fuel injection pump [ISO 8665: 2006]

†Dimensions includes KMH50A gearbox with standard mixing elbow (Dimensions may vary with other gears/elbow)

## DIMENSIONS

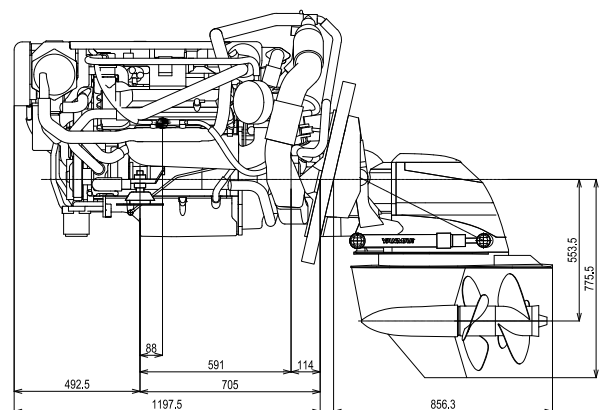
### Front view



8LV with ZT370

(Not to be used for engine installation)

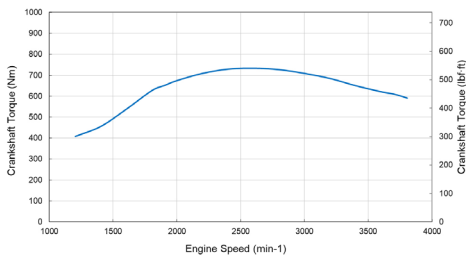
### Right side view



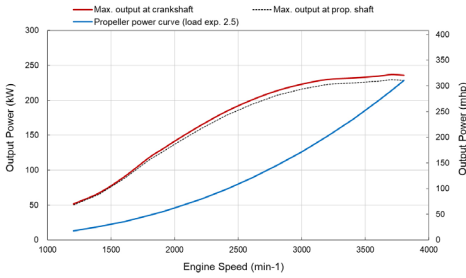


PERFORMANCE CURVES

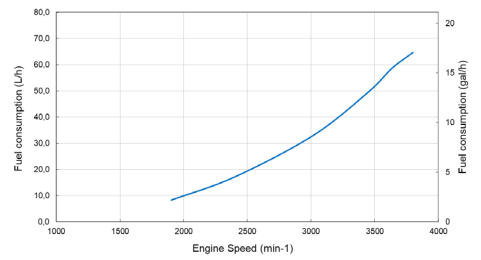
8LV320 Torque curve



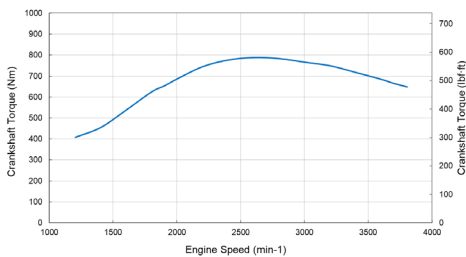
8LV320 Output Power curve



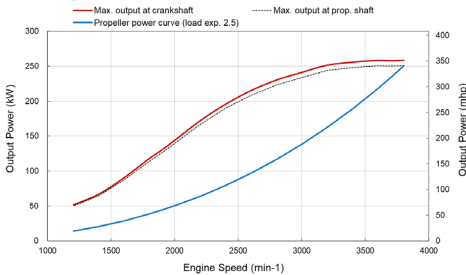
8LV320 Fuel consumption (load exp. 2.5)



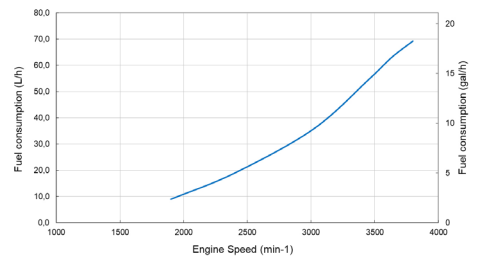
8LV350 Torque curve



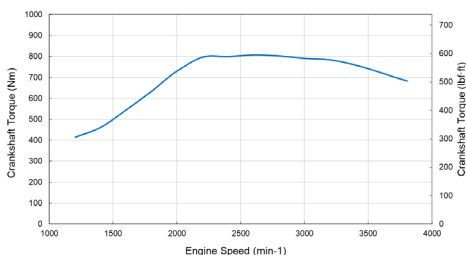
8LV350 Output Power curve



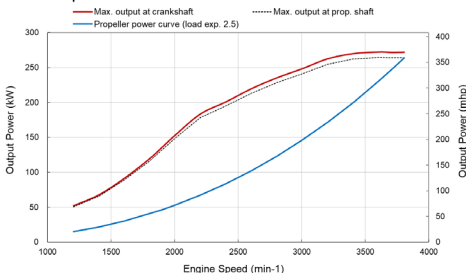
8LV350 Fuel consumption (load exp. 2.5)



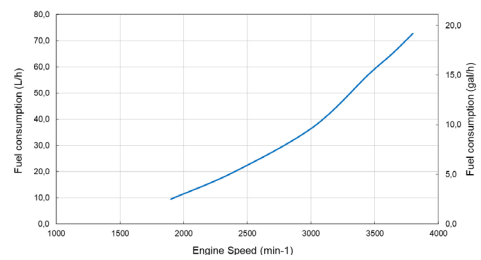
8LV370 Torque curve



8LV370 Output Power curve



8LV370 Fuel consumption (load exp. 2.5)



MARINE GEAR\*

<b>Model</b>	<b>YANMAR ZT370</b>	
Clutch type	Hydraulic multi-disc	
Shift control	Mechanical / Electric [electro magnetic]	
Dry weight**	100 kg [220 lbs]	
Reduction ratio [fwd/rev]	1.65/1.65	1.78/1.78
Direction of rotation viewed from the stern	Clockwise [rear prop] & Counterclockwise [front prop]	
Lubrication system	Oil bath	
Lube oil specifications	Quicksilver High Performance Gear Lube	
Max. lube oil capacity	2.95 L	
Dry weight engine with sterndrive	535 kg [1179 lbs]	
Trim range	-6° to 11°	
Trailer limit	51°	

\* Other marine gearboxes and configurations available upon request. Contact your local supplier for more information

\*\*Dry weight includes propellers, cooler and brackets

ACCESSORIES

**Standard package**

- Through drive exhaust
- Alternator 12V - 180A
- VC20 Vessel Control System
- Power steering
- Flexible mounts
- Fresh water expansion tank
- Opposite dipstick

**Optional accessories**

- Through hull exhaust
- Extension harness [3m, 5m, 10m]
- Second station
- JC10 Sterndrive Joystick
- NMEA2000 Engine monitoring system
- SOLAS including Certificate [factory fit only]
- Hot water connection
- Water separator

- Front PTO pully [V-belt type A or B]
- Electric shift
- Internal tie-bar
- Exhaust cooling water bypass
- Lube oil drain pump
- Bilge pump [12V]

NOTE: All data subject to change without notice. Text and illustrations are not binding.