



12AYM-WST

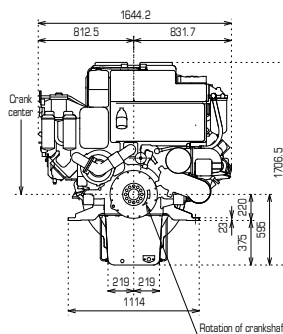
H-rating 882kW (1200mhp)
H-rating 1030kW (1400mhp)



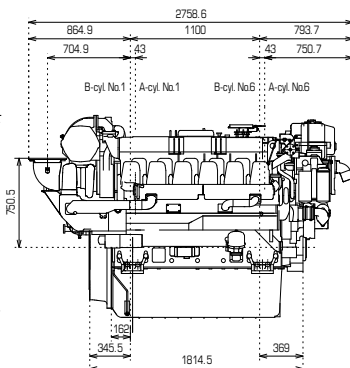
Dimensions Unit:mm



Engine only / Front view



Engine only / Right side view



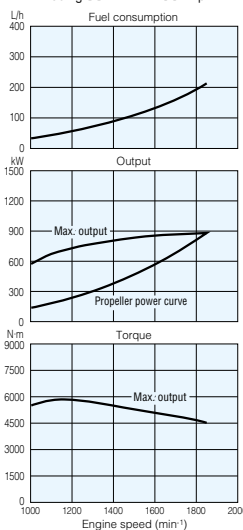
- V-type, 12-cylinder, direct injection, heat exchanger cooling.
- Turbocharger + intercooler.
- 4-valves per cylinder for higher combustion efficiency.
- Conform to IMO Tier II emissions regulations.

Specifications

Model	12AYM-WST H-rating	
Number of cylinders	12 V-type	
Bore × stroke	mm	155 × 180
Displacement	lit.	40.76
Rated output	kW/hp/rpm	H : 882(1200)/1850
		H : 1030(1400)/1900
Combustion system	Direct injection	
Aspiration	Turbocharger + intercooler	
Starting system	Electric starting motor (24V-8.0kW)×2 or air motor×2	
Cooling system	Constant high temperature cooling system	
Size of flywheel housing and flywheel	SAE #00 and 21 in.	
Dry mass	kg	4950 (without marine gear)
Dimensions (L×W×H)	mm	2759×1644×1707

Performance curves

H rating 882kW [1200mhp]



H rating 1030kW [1400mhp]

