

# 6HYM-WET

H-rating 368kW (500mhp)

# YANMAR



- 6-cylinder, direct injection, heat exchanger cooling.
- Twin-turbocharger + intercooler.
- Available either with marine gear or without marine gear.
- 4-valves per cylinder for higher combustion efficiency.
- Conform to IMO Tier II emissions regulations.

## Specifications

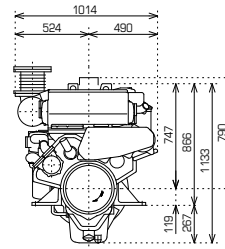
Model	6HYM-WET H-rating	
Number of cylinders	6 in-line	
Bore × stroke	mm	132.9 × 165
Displacement	lit.	13.733
Rated output	kW(hp)/rpm	368(500)/1950
Combustion system	Direct injection	
Aspiration	Turbocharger + intercooler	
Starting system	Electric starting motor (24V 6.0kW)	
Cooling system	Heat exchanger	
Size of flywheel housing and flywheel	SAE #1 and 14 in.	
Dry mass	kg	1385(without marine gear)
Dimensions (L×W×H)	mm	1556×1014×1133

## Marine gear specifications

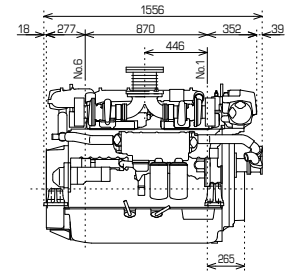
Engine model : 6HYM-WET H-rating						
Model	YXH-160	YX-161L				
Type	Hydraulic multi-disc clutch					
Reduction ratio (Ahead)	1.97	2.46	3.05	3.65	4.08	4.55
Direction of rotation (propeller shaft)	Clockwise or counterclockwise					
Dry weight	kg	390	620			

## Dimensions Unit:mm

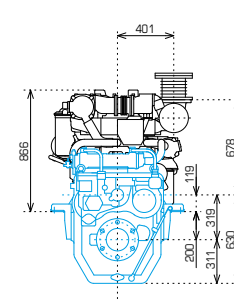
Engine only / Front view



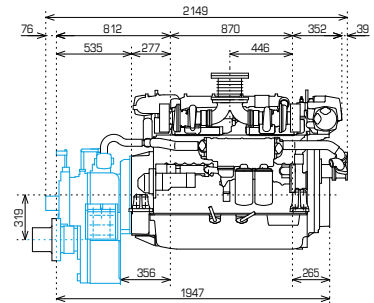
Engine only / Right side view



With YX161L gearbox / Rear view



With YX161L gearbox / Right side view



— Marine gear

## Performance curves

