

12AYEM-GT

L-rating 1340kW [1822mhp]



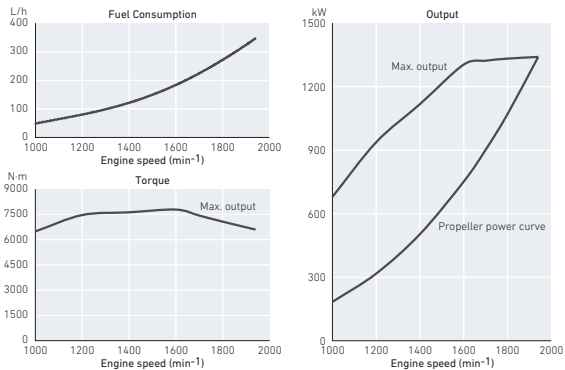
- V-type, 12-cylinder, direct injection, heat exchanger cooling.
- Turbocharger + intercooler.
- 4-valves per cylinder for higher combustion efficiency.
- Available either with marine gear or without marine gear.
- Conform to IMO Tier II, China2 emissions regulations.

The picture above shows the 12AY model, which is different from the 12AYE.

Specifications

| Model | 12AYEM-ET C-rating | |
|---------------------------------------|------------------------------------------|----------------------------|
| Number of cylinders | 12 V-type | |
| Bore × stroke | mm | 155 × 180 |
| Displacement | lit. | 40.76 |
| Rated output | kW[mhp]/rpm | L : 1340[1822]/1940 |
| Combustion system | Direct injection | |
| Aspiration | Turbocharger + intercooler | |
| Starting system | Electric starting motor [24V 8.0kW] × 1 | |
| Cooling system | Constant high temperature cooling system | |
| Size of flywheel housing and flywheel | SAE #00 and 21 in. | |
| Dry mass | kg | 4780 [without marine gear] |
| Dimensions [L×W×H] | mm | 2743×1650×1707 |

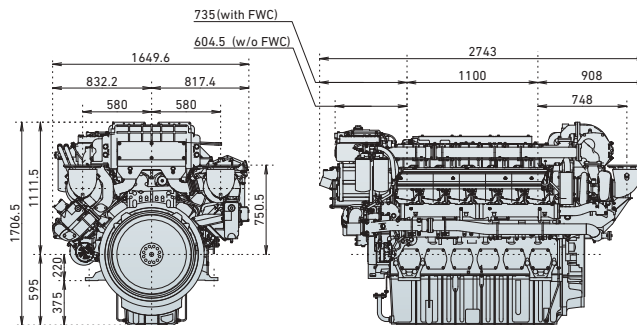
Performance curves



Dimensions [mm]

■ Engine only / Front view

■ Engine only / Right side view



ATLANTIC CANADA 1 877 663-9929
 ONTARIO & MANITOBA 1 844 309-0086
 QUEBEC 1 866 441-3401