

# 12AYEM-ST

Continuous-rating 1030kW [1400mhp]



- V-type, 12-cylinder, direct injection, heat exchanger cooling.
- Turbocharger + intercooler.
- 4-valves per cylinder for higher combustion efficiency.
- Available either with marine gear or without marine gear.
- Conform to IMO Tier II, China2 emissions regulations.

The picture above shows the 12AY model, which is different from the 12AYE.

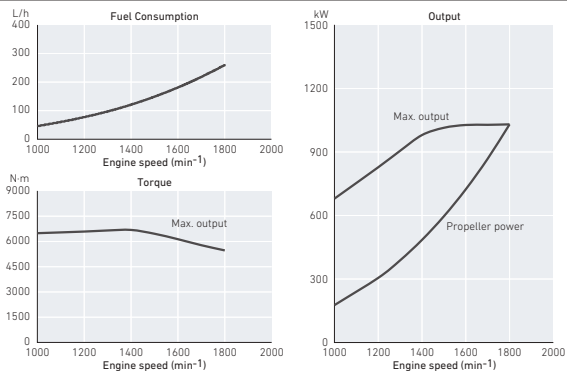
## Specifications

Model	12AYEM-ST C-rating	
Number of cylinders	12 V-type	
Bore × stroke	m m	155 × 180
Displacement	lit.	40.76
Rated output	kW[mhp]/rpm	C : 1030[1400]/1800
Combustion system	Direct injection	
Aspiration	Turbocharger + intercooler	
Starting system	Electric starting motor [24V 8.0kW] × 1	
Cooling system	Constant high temperature cooling system	
Size of flywheel housing and flywheel	SAE #00 and 21 in.	
Dry mass	kg	4780 [without marine gear]
Dimensions [ L×W×H ]	m m	2743×1650×1707

## Marine gear specifications / Engine model : 12AYEM-ST C-rating

Model	YXH-500-3		YXH-500L-3				
Type	Hydraulic multi-disc clutch						
Reduction ratio [Ahead]	2.53	3.04	3.48	3.57	4.07	4.48	4.96
Direction of rotation [propeller shaft]	Clockwise or counter-clockwise						
Dry weight	kg		970		1620		
Live PTO	-		SAE B-B, B, C-C, C				

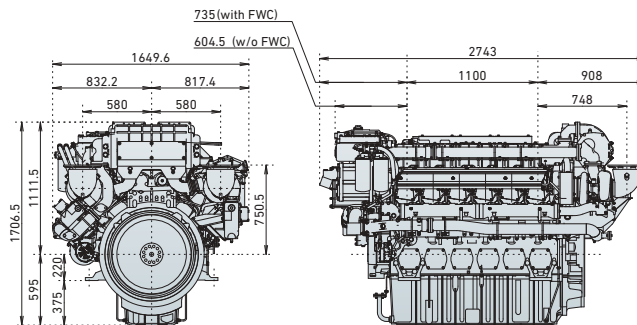
## Performance curves



## Dimensions [ mm ]

■ Engine only / Front view

■ Engine only / Right side view



ATLANTIC CANADA 1 877 663-9929  
 ONTARIO & MANITOBA 1 844 309-0086  
 QUEBEC 1 866 441-3401