

Main Data

- Type : 4-stroke, Diesel
- No. of Cylinders : In-line 6
- Cylinder Bore : 220mm
- Piston Stroke : 320mm
- Mean Effective Pressure : 1.62-2.50MPa
- Piston Speed : 9.60m/s

Rated Output

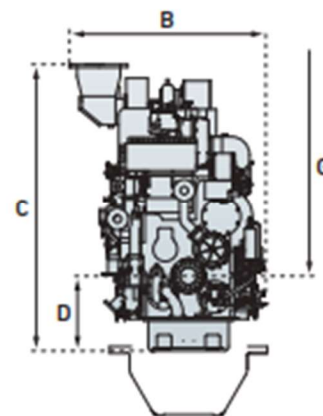
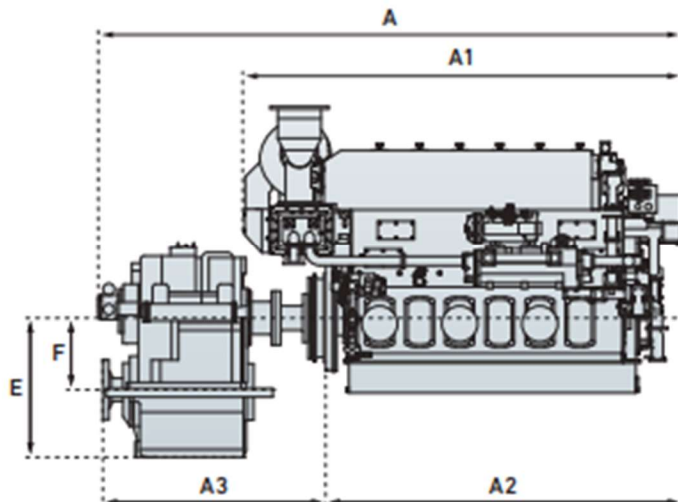
Engine Model	6EY22AW				
Continuous Rated Output kW[PS]	885 [1203]	1030 [1400]	1180 [1604]	1330 [1808]	1370 [1863]
Rated Engine Speed min ⁻¹	900				
Engine Dry Weight kg	10000				

Standard Marine Gear

Propeller Type		for F.P.P.	
Marine Gear Model	Offset	YX-1000	YXH-2000
	Co-Axial	YX-1000C	YXH-2000C
Reduction Gear Ratio [Ahead]	Offset	2.03, 2.36, 2.78, 3.32	2.23, 2.58, 2.79, 3.03
	Co-Axial	2.03, 2.36, 2.78, 3.32	2.23, 2.58, 2.79, 3.03
Marine Gear Dry Weight kg	Offset	2400	4750
	Co-Axial	2565	5050

Dimensions [mm] / Weights [kg]

Engine Model	Marine Gear	A	A1	A2	A3	B	C	D	E	F	G	Total Dry Weight with Marine Gear
6EY22AW 885kW	YX-1000	4574	3647	2965	1488	1618	2416	666	885	435	1922	12505
	YX-1000C	4687	3647	2965	1601	1618	2416	666	450	-	1922	12670
6EY22AW 1030kW	YX-1000	4603	3647	2965	1517	1618	2416	666	885	435	1922	12556
	YX-1000C	4636	3647	2965	1550	1618	2416	666	450	-	1922	12721
6EY22AW 1180kW 1330kW 1370kW	YXH-2000	4810	3647	2965	1807	1618	2416	666	1145	590	1922	14861
	YXH-2000C	4960	3647	2965	1957	1618	2416	666	555	-	1922	15161



G : Minimum Height for Removing Piston