

6EY26W

Power Range 1471~1920kW

Main Data

- Type : 4-stroke, Diesel
- No. of Cylinders : In-line 6
- Cylinder Bore : 260mm
- Piston Stroke : 385mm
- Mean Effective Pressure : 1.92-2.50MPa
- Piston Speed : 9.63m/s

Rated Output

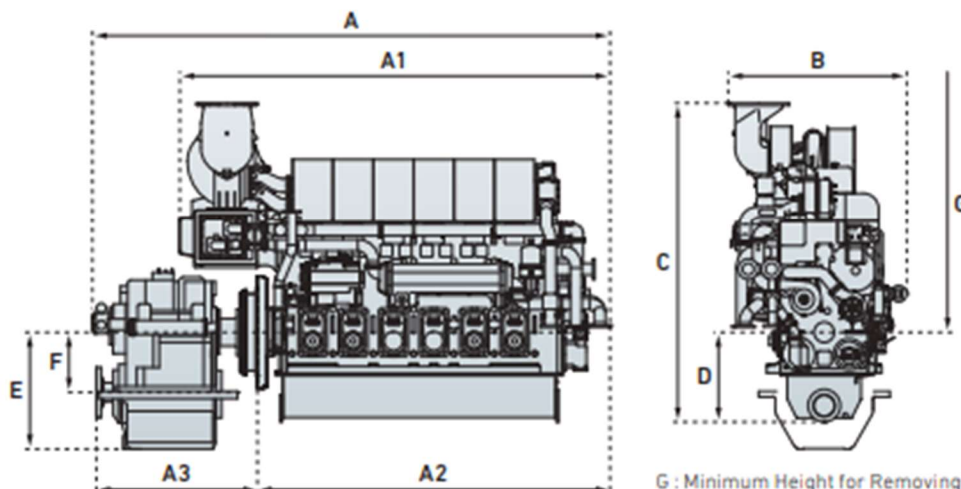
Engine Model	6EY26W		
Continuous Rated Output kW[PS]	1471 [2000]	1620 [2203]	1920 [2610]
Rated Engine Speed min ⁻¹	750		
Engine Dry Weight kg	18500		

Standard Marine Gear

Propeller Type		for C.P.P.	for F.P.P.	for C.P.P.	for F.P.P.	for C.P.P.	for F.P.P.
Marine Gear Model	Offset	YXH-2000M	YXH-2000	YXH-2500M	YXH-2500	YXH-2500M	YXH-2500
	Co-Axial	YXH-2000MC	YXH-2000C	YXH-2500MC	YXH-2500C	YXH-2500MC	YXH-2500C
Reduction Gear Ratio [Ahead]	Offset	2.23, 2.58, 2.79, 3.03					
	Co-Axial	2.23, 2.58, 2.79, 3.03					
Marine Gear Dry Weight kg	Offset	3900	4750	3950	4800	3950	4800
	Co-Axial	4300	5050	4400	5150	4400	5150

Dimensions [mm] / Weights [kg]

Engine Model	Marine Gear	A	A1	A2	A3	B	C	D	E	F	G	Total Dry Weight with Marine Gear
6EY26W 1471kW	YXH-2000M	5702	4271	3563	1882	1804	3112	842	1145	590	1900	22549
	YXH-2000MC	5880	4271	3563	2322	1804	3112	842	555	-	1900	22949
	YXH-2000	5483	4271	3563	1882	1804	3112	842	1145	590	1900	23349
	YXH-2000C	5601	4271	3563	2070	1804	3112	842	555	-	1900	23649
6EY26W 1620kW 1920kW	YXH-2500M	5710	4271	3563	1890	1804	3112	842	1145	590	1900	22640
	YXH-2500MC	5880	4271	3563	2320	1804	3112	842	555	-	1900	23090
	YXH-2500	5491	4271	3563	1890	1804	3112	842	1145	590	1900	23490
	YXH-2500C	5601	4271	3563	2070	1804	3112	842	555	-	1900	23840



G : Minimum Height for Removing Piston